

# K7088D/150

ID030608  
code K7088D150

150cm wall mounted, twin chimney rangehood  
ASC — automatic sensor control



<b>dimensions</b>	1500mmW x 500mmD x 1240mm maximum H
<b>finish</b>	satin stainless steel
<b>installation</b>	wall mount
<b>motors</b>	2 x 250 watt centrifugal motors — each motor: twin impellers, double air uptake
<b>air extraction</b>	<ul style="list-style-type: none"><li>• duct direct to atmosphere — 150mm diameter ducting required</li><li>• recirculate to kitchen — 125mm diameter ducting required</li></ul> NB: for recirculation, a recirculation diverter kit is supplied for each chimney
<b>capacity</b>	each half: 750m <sup>3</sup> /hr net (1500 <sup>3</sup> /hr net max)
<b>illumination</b>	4 x 20 watt halogens
<b>noise rating</b>	1 x 38 dBA minimum → 2 x 58 dBA maximum
<b>speeds</b>	four per motor
<b>delay stop</b>	five minute delay stop selection
<b>controls</b>	four buttons, one LED window
<b>filtration</b>	five removable four-ply stainless steel (washable)
<b>prompts</b>	via LED window flashing — <ul style="list-style-type: none"><li>• five-minute delay stop</li><li>• 30-hour stainless steel filter cleaning prompt</li><li>• 120-hour charcoal filter inspection prompt</li></ul>
<b>supplied</b>	<ul style="list-style-type: none"><li>• two one-way, non-return butterfly valves — removable</li><li>• two 150-125mm diameter duct size adaptors</li><li>• two recirculation diverter kits</li></ul>
<b>accessory</b>	optional activated charcoal filter for each motor, part number 08999802
<b>warranty</b>	two years on parts and labour

## ASC AUTOMATIC SENSING CONTROL

By selecting this button, the K7088D/150 automatically senses any vapours, smoke and odours caused by the cooking process and adjusts the speed of extraction accordingly. The ASC will also sense and capture an abnormal presence of gas.

## DELAY STOP

When cooking is finished, it is recommended that the rangehood be left running for a few minutes, even at a lower speed, to pull through all residual heat, grime and odours. Selecting the DELAY STOP eliminates the need to return to the rangehood to turn it off manually. It will also turn off the lights if they were previously left on.

## FILTER INSPECTION PROMPTS

After 30 hours of use, the LED window will visually prompt for you to inspect the five stainless steel grease filters for possible washing. The cleaner the filters, the more effective is the airflow. The controls are simply reset to zero hours and the counting starts over. The filters can be cleaned at any time, without waiting for the prompt.

After 120 hours of operation, there is an additional prompt to check the charcoal filters if they have been fitted for the recirculation mode.

## DUCTING TO ATMOSPHERE

Extracting the air direct to atmosphere ensures the maximum removal of grease/oil/particle-laden vapour, odours and, very importantly, the heat — resulting in a cleaner, more comfortable cooking environment. An internal ducting pipe could, ideally, continue in a straight line within the decorative flue to the kitchen roof, then through the roof cavity and exit via a roof cowl. If the rangehood is mounted against an external wall, the ducting could, as effectively, exit at the rear anywhere along the vertical line of the concealing decorative flue and at a position that is structurally feasible for an external wall cowl.

## RECIRCULATION

When the cooking vapours cannot be ducted to atmosphere, that is, the rangehood is mounted on an internal wall and/or there is another storey above, the supplied recirculation kit is inserted into the telescopic flue. An activated charcoal filter can be fitted below the centrifugal motor. This will effectively diminish cooking odours. The charcoal filter is not to be washed and is replaceable.

## DUCTING MATERIAL

The smooth internal walls of either galvanised sheet metal piping or high temperature-resistant PVC will assist in both greater unobstructed air flow and a quieter operation. Flexible ducting can be considered for the very short run and difficult obtuse bends.

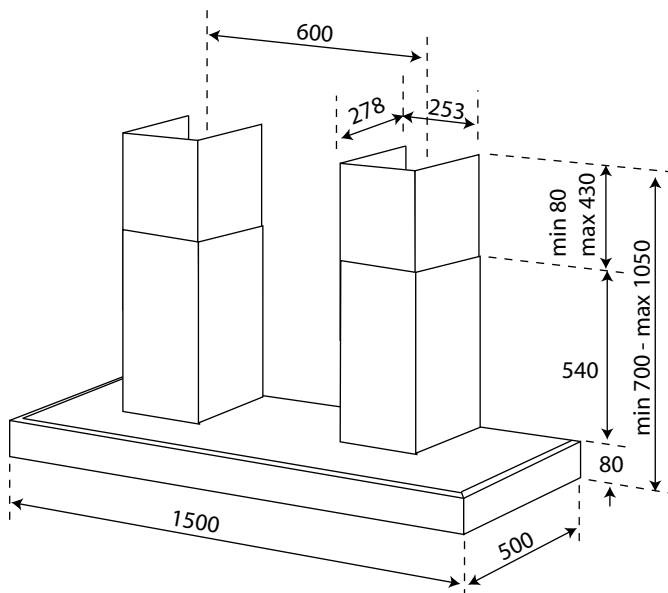
## CHARCOAL FILTER

In the recirculation mode, the rangehood is also sending the cooking odours back into the kitchen. An activated charcoal filter panel, part number 08999802, can be inserted just below the motor housing to effectively diminish the cooking odours. This charcoal filter is not to be washed; however, it is replaceable.

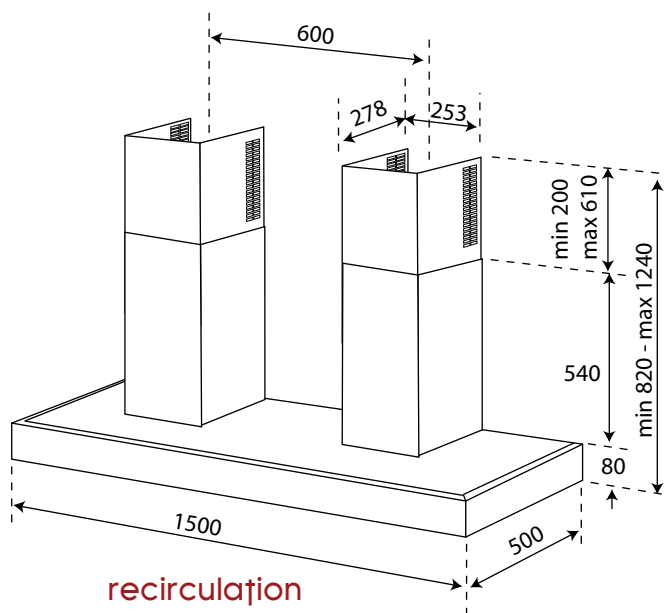
# K7088D/150

ID030608  
code K7088D150

150cm wall mounted, twin chimney rangehood  
ASCO — automatic sensor control



direct ducting to atmosphere



recirculation

**Please note** the difference in maximum heights between the 'direct duct to atmosphere' installation and the 'recirculation' installation. The recirculation installation's maximum height is 1240mm due to the active recirculation vents necessarily being exposed on each side of each chimney. The 'direct duct to atmosphere' installation shows the now redundant recirculation vents being concealed by the lower chimney piece by the reversing — that is, turning the upper chimney piece 180 degrees on the vertical.

If higher chimney heights are required for the 'direct duct to atmosphere' installation, that is, up to 1240mm, simply follow the 'recirculation' installation and have the recirculation vents exposed, though redundant.

**NB: drawings are not to scale — they are to assist only**

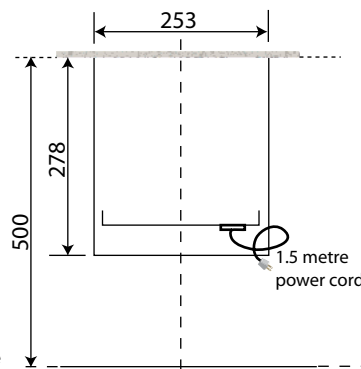
**WARNING: technical specifications and product sizes can be varied by the manufacturer without notice. Cutouts for appliances should only be by physical product measurements. The above information is indicative only.**

- electricity supply** 240 volt, 50 Hz
- electrical connection** each chimney: independent 1.5 metre power cord for connection to standard 10 amp GPO
- wattage** motors: 2 x 250 watt each  
lights: 4 x 20 watt halogens  
total: 580 watts
- current** 2.42 amps total
- packaged dimensions**
- gross weight**
- net weight**
- supplied**
  - instructions for installation, operation and maintenance
  - 2 x one-way butterfly valves for optional fitment to air exit apertures
  - 2 x 150mm/125mm diameter duct adaptors

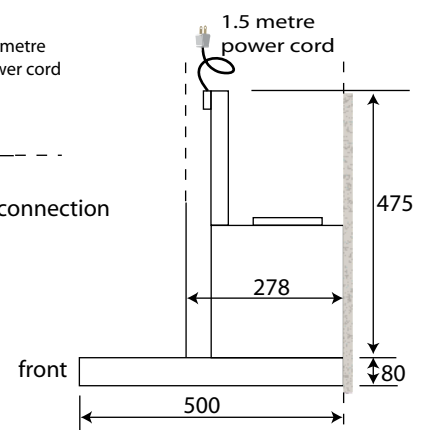
- NB: recirculation requires 125mm diameter ducting, direct ducting requires 150mm diameter ducting
- fixing screws

- optional** 2 x activated charcoal filters (replaceable), individual part number 08999802

SPEED	1	2	3	4
net air capacity m <sup>3</sup> /hr	2 x 300	2 x 470	2 x 630	2 x 750
pressure mm H <sub>2</sub> O	2 x 36	2 x 42	2 x 45	2 x 46
input wattage	2 x 120	2 x 150	2 x 190	2 x 250
noise level dBA	2 x 38	2 x 48	2 x 54	2 x 58



PLAN DETAIL — electrical connection each chimney



RIGHT-HAND SIDE ELEVATION DETAIL — electrical connection