

## smeg barbecue 60cm benchmount



- all-satin stainless steel, No 4 commercial grade, non ferris
- standards — Europe EN X2CrNiN 18–10  
— Australia AISI 304
- 1.1mm gauge
- barbecues and roasts with the lid closed
- thermometer gauge 0° Celsius to 300° Celsius, plus 'max' zone
- two removable stainless steel trivets
- large 460mm D x 260mm W x 5mm thick solid stainless steel hotplate, removable
- four perforated ceramic plate cartridges in frame, removable. The ceramic plates ensure both heat retentive efficiency and evenness of cooking
- stainless steel warming shelf (removable) above cooking zone
- full-width drainer tray
- full-depth smoker drawer — add soaked wood chips for added flavour to foods being cooked, for example hickory, mesquite, citrus
- set for LPG (one metre LPG hose supplied with in-line regulator). Natural gas conversion kit supplied on request (kit NGBBKIT)
- two horseshoe burners, 15.1 mj/hr each maximum
- infinitely-variable flame/heat control
- separate igniter for each burner
- battery, 9 volt AA, spark ignition
- flash tubes between burners, saves battery use
- all stainless steel interior, no pitting, cracking, flaking

### PLEASE NOTE

The BQ60R can be supplied with an optional stainless steel trolley with full-width storage drawer and stainless steel basket for LPG bottle, four castors, forward two castors with brakes  
720mm H x 620mm D x 596mm W

#### *option 1*



BQ60R/CA60R  
code P22903  
TROLLEY ONLY —  
CA60R, code 22903

#### *option 2*

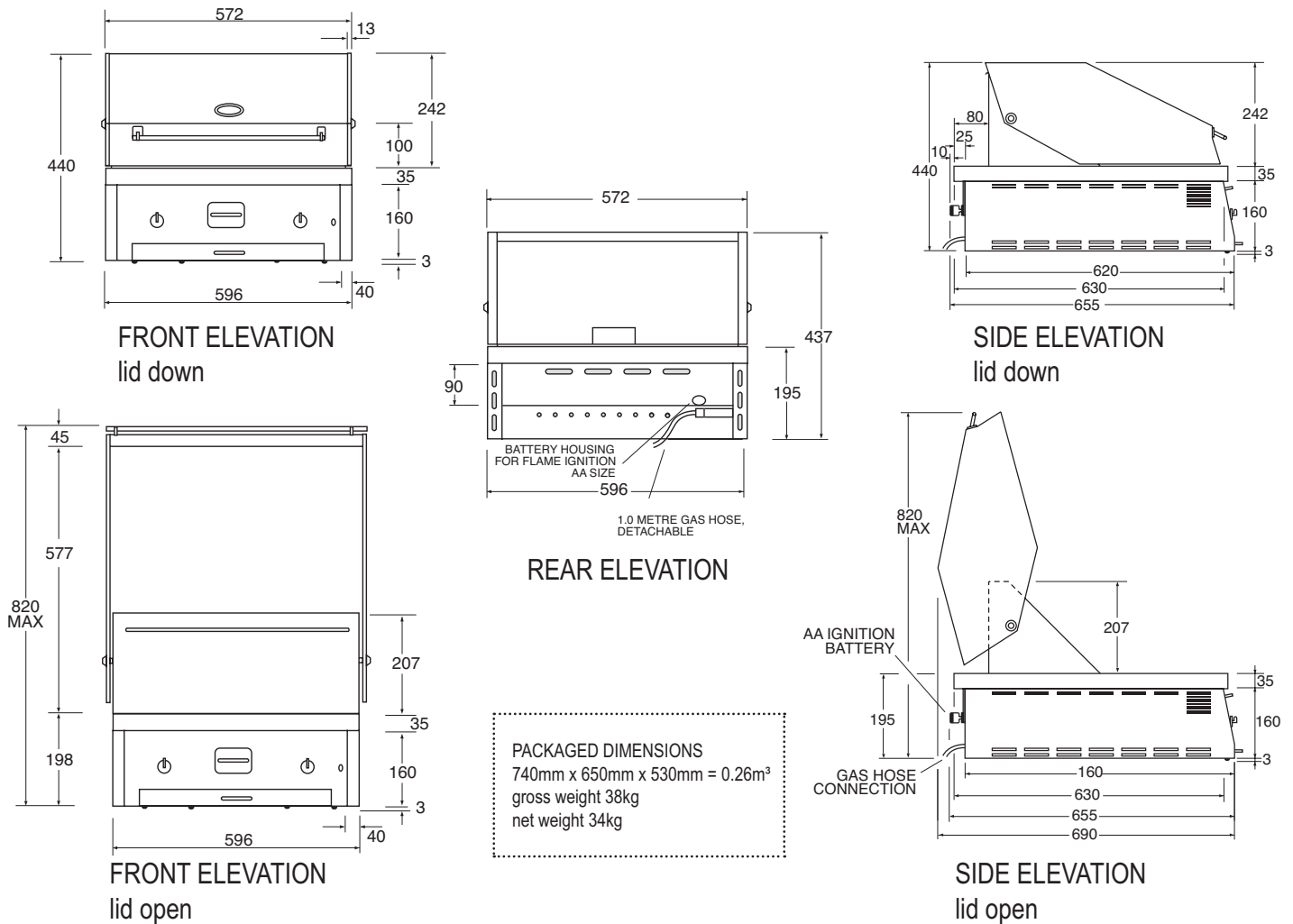


BQ60R/CA60T  
code P22904  
with fold-out stainless steel side benches  
TROLLEY ONLY —  
CA60T, code 22904



## smeg barbecue — 60cm benchmount

### technical specifications

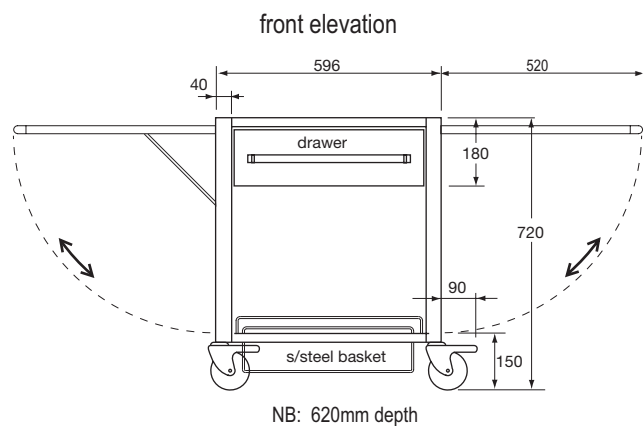
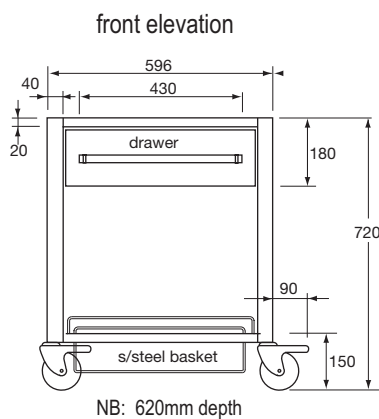


### options

**PLEASE NOTE: drawings are not to scale.  
They are to assist only.**

CA60R trolley without side benches

CA60T trolley with pull-up side benches



**Warning: technical specifications and product sizes can be varied by the manufacturer without notice.  
Cutouts for appliances should only be by physical product measurements. The above information is indicative only.**