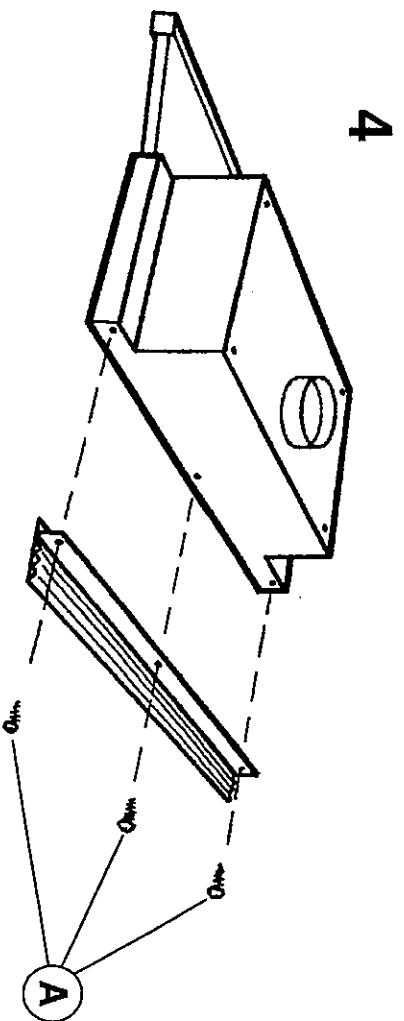
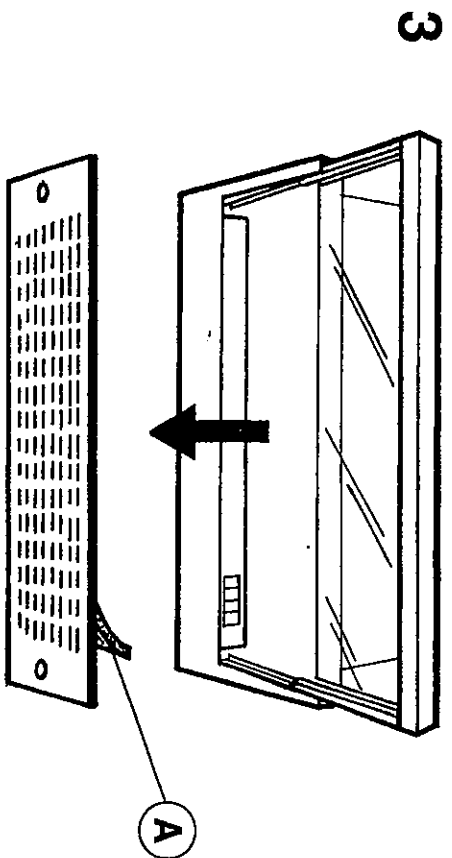
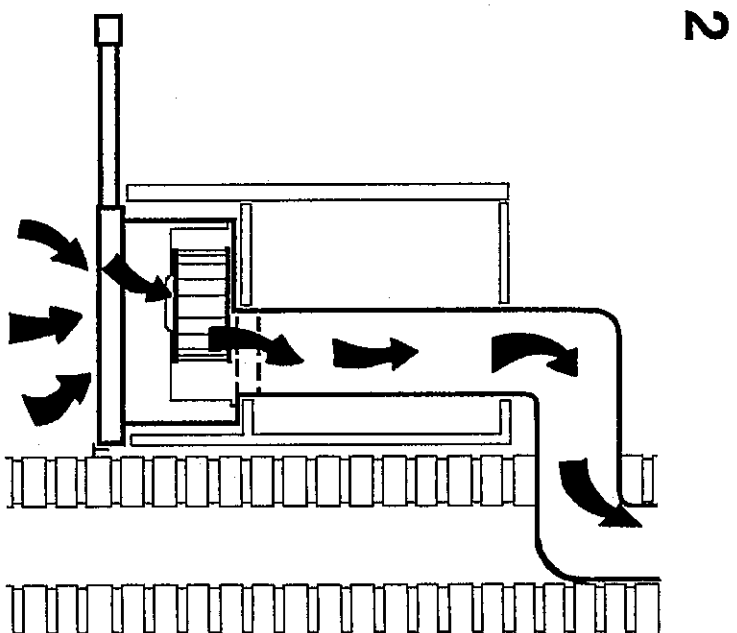
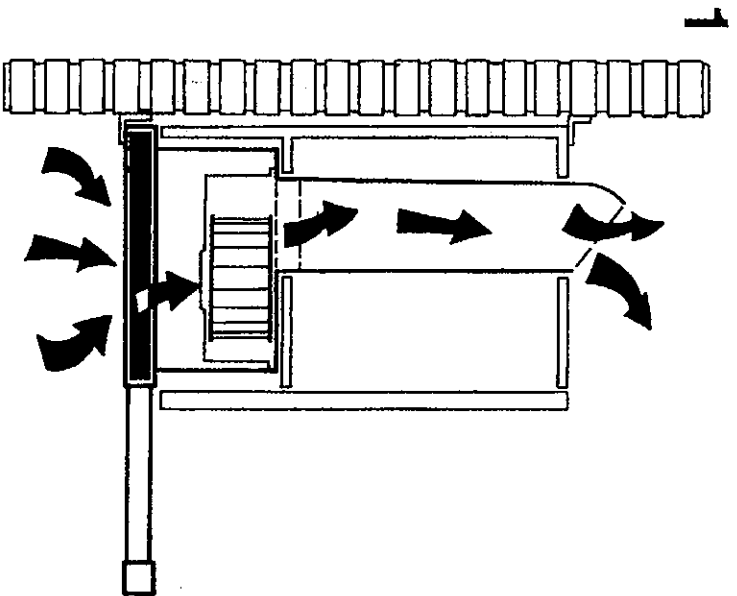




installation  
and operating  
instructions



SST60S  
retractable  
rangehood



## DESCRIPTION

---

The appliance can be used in both the filtering and ducting version.

In the **Filtering** version (Fig. 1), the air and vapours conveyed by the appliance are depurated by activated charcoal fiber panel and recirculated around the room.

**ATTENTION:** Using the hood as a filtering one it is necessary to use the activated charcoal fiber panel(s) that purifies the air sent back into the room.

In the **Ducting** version (Fig. 2), cooking vapours and odours are conveyed straight outside by a disposal duct which passes through the wall/ceiling. Use of activated charcoal fiber panel is therefore unnecessary.

According to the model you have bought, the appliance can include 1 or 2 motors. In the 1 motor version the flange for the air to be exhausted has not got a central position, but it is slightly on the left.

## INSTALLATION

---

Before assembling, in order to manoeuvre the appliance more easily, take off the **grease grille**: move the grille(s) toward the back of the appliance and pull it downwards (Fig. 3).

To compensate possible depth voids between the appliance and the wall, a plastic **spacing bar** to be fixed at the back of the appliance by means of the 3 screws A is included (Fig. 4). Cut the spacing bar according to the distance to be adjusted.

### Assembly under a pensile cupboard

The following operations are essential for assembly:

- Install the wiring system
  - Prepare the air venting hole if your appliance is to be installed in the Ducting version.
- Using the relative template make the 4 necessary fixing holes in the bottom of the cupboard and cut the air venting hole.

Holding the hood against the bottom of the cupboard and fix it by means of the 4 supplied metric screws (Fig. 5).

Ducting version: connect the flange of the hood with the air venting hole made previously in the wall/ceiling by means of an adequate tube.

Filtering version: connect a proper pipe to the flange of the hood so that the air is sent outside the pensile and sent back into the room. Make the electrical connections.

## OPERATION

---

### Controls (Fig. 6):

- A = ON/OFF 1st speed switch
- B = II speed switch
- C = III speed switch

The motor is automatically ON or OFF by opening/closing the truck (unless switch A is on 0). Opening the truck the motor works according to last speed registered.

- D = Light switch: position A (automatic), the light are automatically regulated ON or OFF by the opening/closing of the truck. Position M (manual), the light is on. Position 0, the light is off.

In case the hood is a **filtering version** one, it is necessary to change the activated charcoal fiber panel according to utilization about every six month.

- To remove the fiber panel A (Fig. 3):
- open the truck pulling it first downwards, then towards the front.
  - take off the anti-grease grill making it move towards the back of the appliance and pulling it downwards.
  - remove the fiber panel (the panel is inside the anti-grease grill).

### Light bulb

If the **fluorescent light** need changing, slacken the light cover by disconnecting the screw and remove the bulb itself (Fig. 7). Replace with a bulb of the same type.

To change the **rectangular halogene bulbs** open the cover (Fig. 8) and remove the bulb without touching it with bare hands. Replace with a bulb of the same type.

## English

### WARNING

- The distance between the hob and the lower part of the hood must be at least 65 cm.
- The air collected must not be conveyed into a duct used to blow off smokes from appliances fed with an energy other than electricity (central heating systems, thermostats, water-heaters, etc.).
- Comply with the official instructions provided by the competent authorities in merit when installing the disposal duct.

- The room must be well aerated in case a hood and some other heat equipment fed with an energy other than electricity (gas, oil, coal heaters, etc) operate at the same time.  
In fact the intake hood, disposing of air, could create a vacuum in the room. The vacuum should not exceed 0,04mbar. This prevents the gas exhausted by the heat source from being intaken again. It is therefore advisable to ensure the room contains air taps able to ensure a steady flow of fresh air.

- **ATTENTION: This appliance must be grounded.**

- The following warning is valid in the United Kingdom only:

As the colours of the wires in the mains lead of this appliance may not correspond with the coloured markings identifying the terminals in your plug, proceed as follows:

- the wire which is coloured green and yellow must be connected to the terminal in the plug which is marked with the letter E or by the earth symbol [  $\frac{1}{1}$  ], or coloured green or green and yellow;
- the wire which is coloured blue must be connected to the terminal which is marked with the letter N or coloured black;
- the wire which is coloured brown must be connected to the terminal which is marked with the letter L or coloured red.

- When making the electrical connections, check that the current socket has a ground

connection and that the voltage values correspond to those indicated on the data plate inside the appliance itself.  
In case your appliance is not furnished with a non separating flexible cable and has no plug, or has not got any other device ensuring omnipolar disconnection from the electricity main, with a contact opening distance of at least 3 mm, such separating device ensuring disconnection from the main must be included in the fixed installation.

- Always switch off the electricity supply before carrying out any cleaning or servicing operations on the appliance.

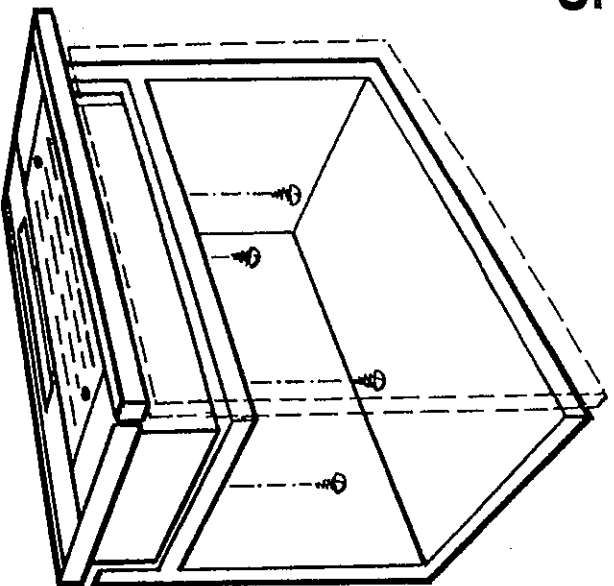
### USE

- Avoid using materials which could cause spurts of flame (flambeés) near the appliance.
- When frying, take particular care to prevent oil and grease from catching fire. Already used oil is especially dangerous in this respect. Do not use uncovered electric grates.
- To avoid possible risks of fire always comply with the indicated instructions when cleaning anti-grease filters and when removing grease deposits from the appliance.

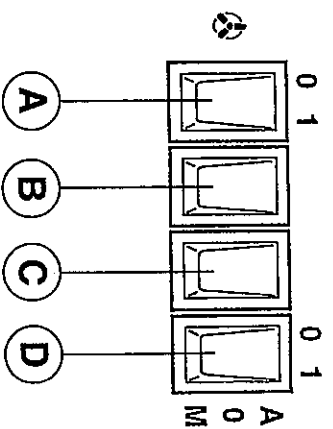
### MAINTENANCE

- Thorough servicing guarantees correct and long-lasting operation.
- Particular care must be paid to the grease grille which must be periodically cleaned in relation to use (at least once every two months). Remove the grease grille and wash them either by hand or in the dishwasher using neutral detergent.
- Use lukewarm water and neutral detergent to clean painted appliances. Never use products containing abrasives.  
Take great care to prevent the use of corrosive or abrasive products when cleaning steel, copper or brass appliances. It is advisable to use specialized products according to the manufacturer's instructions.

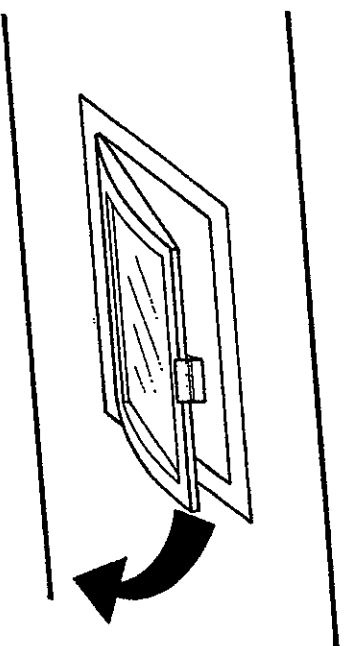
5



6



8



7

