
COFFEE

Italians love their coffee. As a point of pride, Smeg produces the most remarkable, elegant, easy-to-maintain and cleverly conceived coffee machines imaginable. From grinding aromatic beans, to producing dark, full-bodied espresso and heavenly crema, our coffee machines reign supreme. For the perfect cup of coffee, choose Smeg.





Classic Coffee Machine



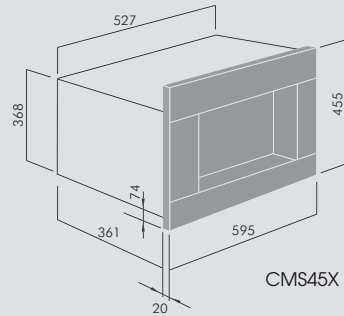
CMS45X Classic Coffee Machine

For stunning barista-quality results, choose the Smeg Coffee Machine. It is built-in and requires no plumbing – and that means greater design flexibility. Finished in fingerprint-proof satin stainless steel, it is styled to perfectly complement the rest of your appliances. All the components are hidden from view, but can be accessed with ease. This includes a massive 1.8-litre water tank with the capacity to produce cup after cup of café quality coffee. The machine offers a convenient, internal, self-cleaning function, so you don't have to clean it after every cup of coffee. Fully programmable, it will remember exactly how you like your espresso shot, has five coffee strengths, a pre-ground option and easily stores up to 220 grams of coffee beans. You can even add a warming drawer underneath.

H455mm x W595mm x D480mm

Features

	CLASSIC COFFEE MACHINE
	CMS45X
Installation	Built-in
Connected Powercord & 3-Pin Plug	10 amp
FEATURES	
Water Tank	1.8L
Coffee Bean	220grams
LED Display	•
Pump Pressure	15 Bar
FUNCTIONS	
Fully Automatic Coffee	•
Steam Function	•
Hot Water Function	•
Rinsing Function	•
Coffee Strength Levels	5
Temperatures	3
FURNITURE	
Frothing Nozzle	•
Adjustable Coffee Dispenser	•
Drip Tray	•
Lights	2
Grind Adjustment	•
Language	•
Sequence Prompter	•



Did you know?

With the Smeg Classic Coffee Machine, you can produce sensational results using ground coffee or whole coffee beans. The coffee bean chamber may be loaded with quality caffeinated and decaffeinated beans. There is even a special shute to insert ground coffee beans for that instant coffee hit.



Safe telescopic shelf guide for machine access.



Easy access to water reservoir.



Direct access to coffee bean compartment.

Classic Warming Drawer

COFFEE



CT15X Classic Warming Drawer

Keep your cups and saucers warm and espresso-ready with Smeg's convenient warming drawer. The Smeg Classic Warming Drawer can be fitted directly beneath either a Compact or 60cm oven and perfectly complements the other products within the Classic family. With its non-slip drawer liner and electronic touch controls, it is another example of Smeg's commitment to detail and intelligent design.

H136mm x W595mm x D557mm

