

86cm width, single giant bowl, large drainer, all satin stainless steel, inset or undermount installation

code 9230



- Overall dimensions 860mmW x 500mmD x 223mm H
- Giant bowl 450mmW X 400mmD x 210mmH nett, 37.8 litre capacity
- Drainer area 340mmW x 440mmD x 1496sq.cm
- Luxury Lira designer waste reducer included
- 90mm diameter waste holes also suits a food waste disposer installation
- Tap hole punching for Left or Right main bowl configuration
- On request, no tap hole specification
- Corner space for option filtered water spout installation
- 1mm gauge stainless steel
- Non magnetic, 18/10 commercial grade stainless steel (AISI 304)
- European satin stainless steel
- Anti-drum insulation applied to underside of bowls

Installation Options

INSET installation is the traditional way of inseting a sink into any type of benchtop surface. The flat polished trim and rolled edging of the sink is exposed above the benchtop surface, as shown in the image above.

UNDERMOUNT installation involves the glueing of the polished trim to the underside of a specifically cut bench. No part of the sink trim is exposed above the benchline. The benchtop material should only be of marble, granite, corian or quartz resin.

Important note:

When undermounting the sink below stone, corian or quartz resin bench tops always have the actual sink at hand when cutting out the bench. This should ensure accuracy in the aesthetic detail of the finished installation.

Optional Accessories

TS45 timber chopping board

code 9245

for full width fitment to super bowl.

Dimensions 470mmW x 420mmD x 25mmH



CS45 stainless steel crockery basket

code 9236

fits super bowl or drainer area,

with removable dish rack,

Dimensions 435mmW x 395mmD x 155mmH

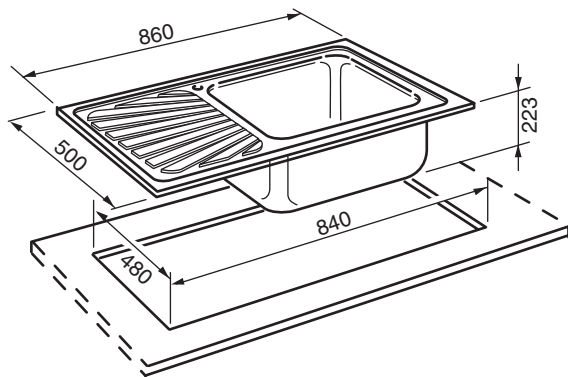
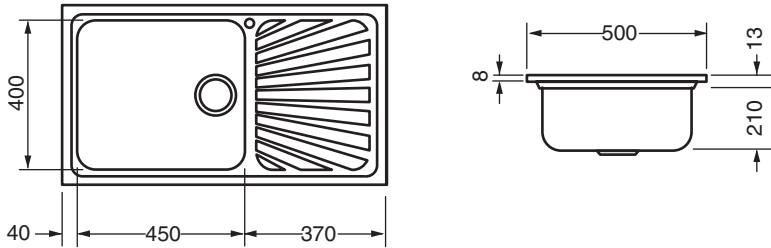
Dish rack 220mm x 165mmW x 90mmH



SG861

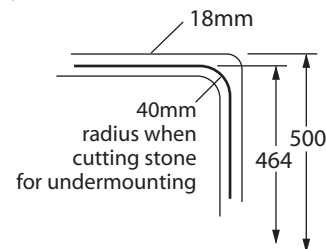
**86cm width, single giant bowl, large drainer,
all satin stainless steel, inset or undermount installation**

code 9230



Supplied with sink	Clips, seal two luxury lira waste reducers
Packaged dimensions	1230 x 525 x 230 = 0.14cubic metre
Gross weight	6.35kg
Nett sink height	4.85kg
Actual sink dimensions	860mmW x 500mmD x 230mmH
Sink volume	37.8 litre
Drainer area	340mm x 440mm = 1496sqcm.
Nett sink height	210mm
Cut-out inset installation	840mmW x 480mmD
undermount	820W x 460mmD N.B. take care with radiused corners
Waste hole sizes	Both 90mm diameter
NB The waste hole suits the fitment of supplied luxury Lira waste reduces or a food waste disposer.	

Undermount Detail



Important note:

When undermounting the sink below stone, corian or quartz resin bench tops always have the actual sink at hand when cutting out the bench. This should ensure accuracy in the aesthetic detail of the finished installation.

Optional Accessories

TS45 timber chopping board
code 9245
for full width fitment to superbowl.
Dimensions 470mmW x 420mmD x 25mmH



CS45 stainless steel crockery basket
code 9236
fits superbowl, with removable stainless dish rack.
Dimensions 435mmW x 400mmD x 155mmH
Packaged, bubble wrap
Nett weight 1.3kg
Dish rack 220mm x 165 x 90mmH



Warning: Technical specifications and product sizes can be varied by the manufacturer - without notice.
Cut outs for appliances should only be by physical product measurements. The above information is indicative only.