

## 90cm secret telescopic with retractable cantilevered visor



<b>FINISH</b>	silverfrost
<b>SIZE</b>	862mm wide suits 90cm application
<b>INSTALLATION</b>	built into overhead cabinetry
<b>MOTOR</b>	2 x 100 watt single shaded pole motors with impellor
<b>AIR EXTRACTION</b>	exhaust direct to atmosphere or recirculate to kitchen
<b>SPEED</b>	three: low, medium and high, OFF separate rocker switches
<b>NOISE RATING</b>	48–58 dBA
<b>DUCTING</b>	125mm or (5") diameter duct pipe required. (NB: ducting is not supplied)
<b>ILLUMINATION</b>	two 20 watt halogen recessed lamps, separate switch
<b>AUTOMATION</b>	preset fan speed and lights
<b>CAPACITY</b>	280m <sup>3</sup> /hour net
<b>FILTRATION</b>	removable aluminium mesh piece (4-ply), washable
<b>OPTION</b>	activated charcoal filter, part number 08999824
<b>WARRANTY</b>	two years parts and labour

**PERFORMANCE**

High efficient air extraction of up to 280 cubic metres an hour. Designed for the more vigorous styles of cooking, such as stir frying, prolonged boiling and griddle cooking and can be turned down to cater for the gentlest of simmers.

**AUTOMATION**

The fan extraction speed and lights can be preset to start automatically once the rail is moved forward. At all times this can be overridden and operated manually.

**SECRET INSTALLATION**

Completely concealed when not in use, the front rail cantilevers downward and forward to create an effective catchment area of vapours. The SST installation is via suspension from the shelf in cabinet cavity.

**QUIETNESS**

48–58 dBA — minimum noise with smooth-walled motor encasements and internal fluing for low air drag and effect. All metal joints are welded for no vibration.

**SAFETY**

Thermal overload protector on motor, fire-retardant hardened metal and mesh. VO self-extinguishing polycarbonate for motor housing and internal flue.

**DUCTING**

Ideally, the extracted air is ducted direct to the atmosphere via the top exit. This direct ducting ensures maximum removal of the grease, oil particle-laden vapour and, importantly, the removal of the heat and odours, resulting in a more comfortable cooking environment.

**RECIRCULATION**

When the cooking vapours cannot be ducted, simply redirect the extracted and filtered air into the kitchen via a duct pipe through the overhead cabinetry. A more frequent inspection and cleaning of the grease filter is recommended.

**DUCTING MATERIAL**

Smooth internal walled duct pipe lengths ensure the most efficient air movement and quieter operation. Consider either high temperature rated PVC or galvanised sheet metal piping. The flexible ducting can be ideal for a very short, tight run.

**CHARCOAL FILTERS**

This is a purchasable accessory and easily fitted within the grease filter. It effectively diminishes cooking odours in the recirculation mode. These filters are not to be washed, but are replaceable.

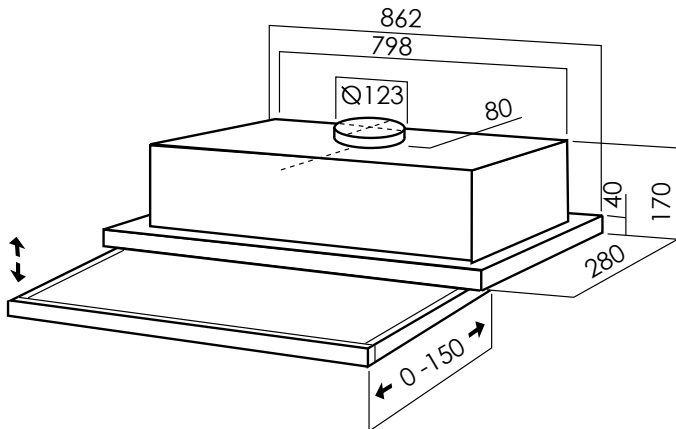
**WARRANTY**

Two years parts and labour.

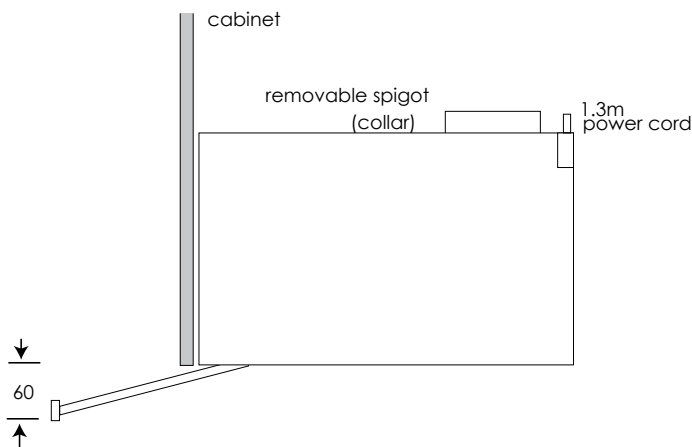
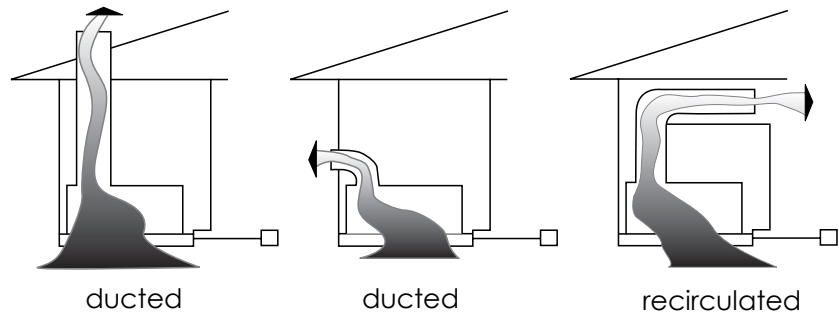
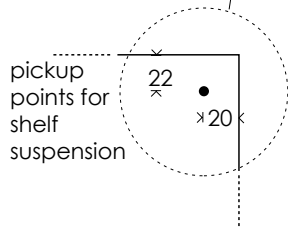
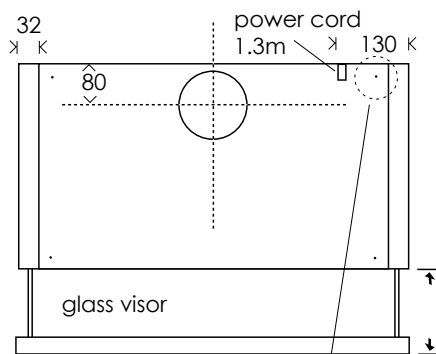
# SST90S rangehood

ID030608  
code 3048/3

90cm secret telescopic with retractable cantilevered visor



<b>height</b>	170mm
<b>width</b>	862mm
<b>depth</b>	280mm closed, 430mm open
<b>packaged dimensions</b>	960mm x 380mm x 265mm = 0.097m <sup>3</sup>
<b>gross weight</b>	11kg
<b>net weight</b>	10.1kg
<b>capacity</b>	280m <sup>3</sup> /hr net
<b>noise rating</b>	48–58 dB
<b>electrical supply</b>	240 volt, 50 Hz
<b>electrical connection</b>	1.3m connected power cord with 3-pin plug suits standard 10 amp GPO
<b>motor</b>	2 x 100 watt single shaded pole with 1.2 impellor
<b>maximum current</b>	1.0 amp
<b>lights</b>	two x 20-watt halogen
<b>air exit aperture</b>	123mm diameter collar supplied (spigot)
<b>duct size</b>	125mm diameter duct piece required
<b>supplied</b>	<ul style="list-style-type: none"> <li>• template for mounting</li> <li>• spigot for duct piece</li> <li>• screws</li> <li>• one-way butterfly valve for spigot (removable)</li> <li>• instructions for installation, operation and maintenance</li> </ul>



**NB: drawings are not to scale — they are to assist only**

**WARNING:** technical specifications and product sizes can be varied by the manufacturer without notice. Cutouts for appliances should only be by physical product measurements. The above information is indicative only.