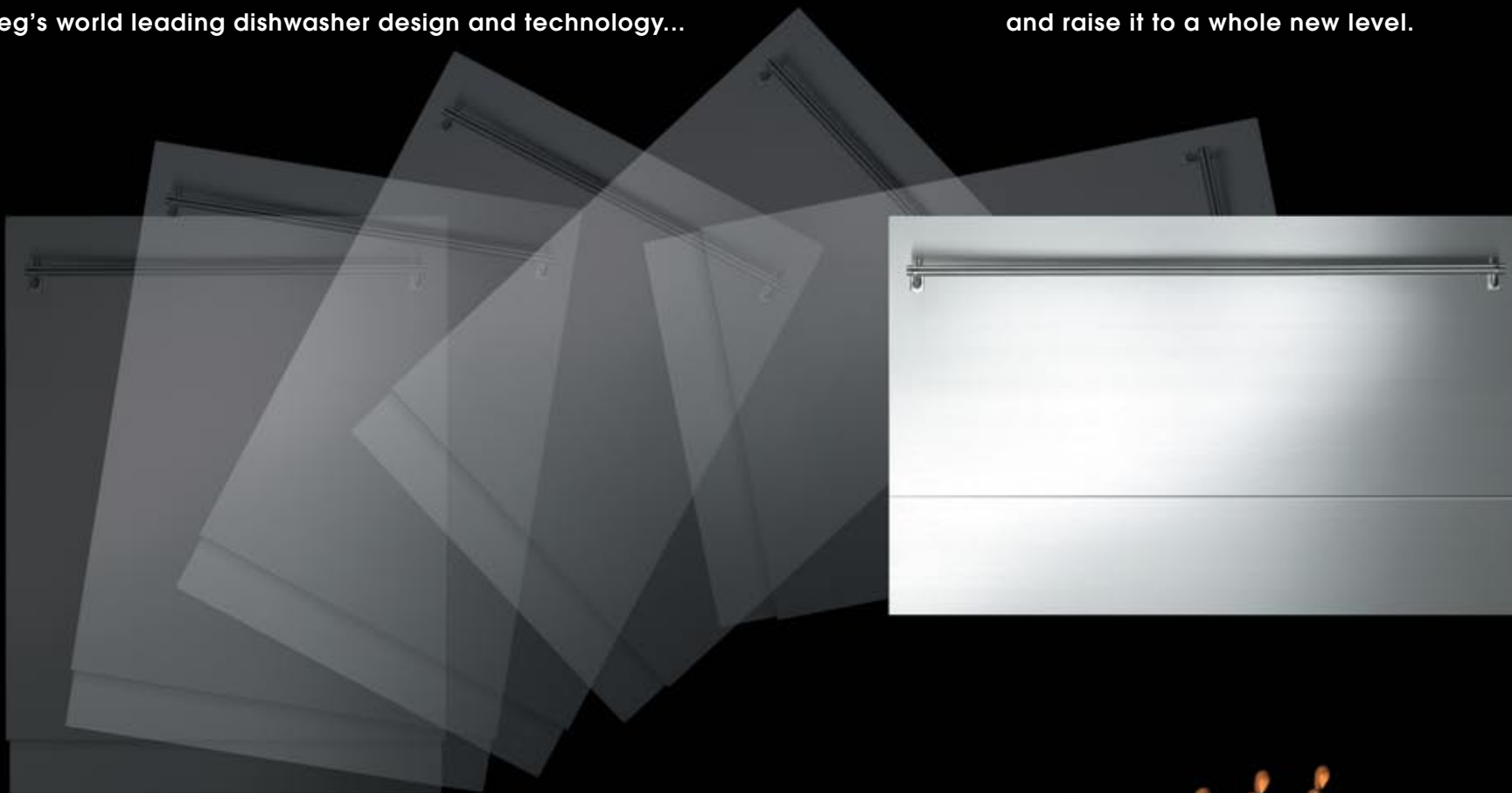


The concept is simple:

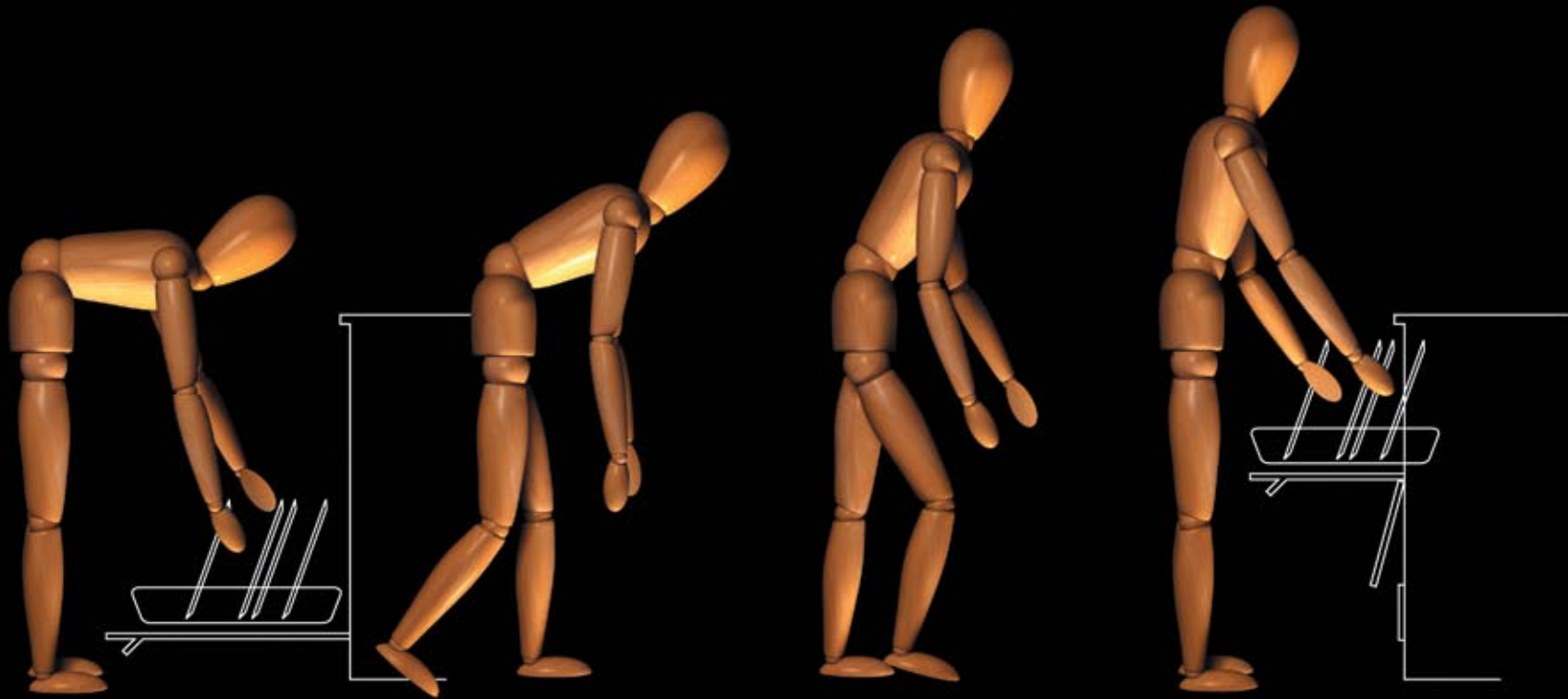
Take Smeg's world leading dishwasher design and technology...

and raise it to a whole new level.



The evolutionary new 90cm **HORIZON**





A truly evolutionary concept in full capacity dishwashers.



the new wider & higher 90cm HORIZON

(with space beneath to fit an extra wide additional cabinet storage drawer, as shown.)

standard 60cm dishwasher

Superior loading zones & kitchen traffic flow.

The fully integrated HORIZON dishwasher requires two cabinet panels to be easily fitted to the actual dishwasher facias. These cabinet panels can be in the material, colour and design of your choice, even stainless steel, to perfectly integrate with adjacent cabinetry. The handle, too, is your design choice.



Anything which fits into a 90cm oven will also easily fit into to the new HORIZON dishwasher
...including the oven racks themselves.

STH905

turbidity sensing automatic programming

fluorescent lighting

stainless steel basket

install directly below benchtop or raise into wall column

full-width dishwasher basket sits at over 52cm above kitchen floor;

a normal dishwasher's bottom basket is at about 17cm above the kitchen floor - there is now no awkward bending

door extrusion into kitchen space at only 36cm when fully open;

a normal dishwasher's door extrusion is between 61-65cm

the entire loading area is elevated, close and in full view for ergonomic loading and unloading

fully integrated - add door cabinets and handles of your choice

suits standard 60cm deep cabinets - actual total dishwasher carcass depth of 553mm

space for drawer installation below dishwasher

twin orbital wash systems, two full ceiling wash arms

12 international placesettings in compliance with AS/NZS2007

fits 32cm diameter plates

6 collapsible dish racks - multi-loading options

77cm basket width - normal dishwasher 52cm

accommodates 70cm and 90cm oven racks and trays

12.6 litre water consumption, 3.5 star, 10 litre fast programs

43 dBA at motor, 38 dB installed, fully loaded and operating

annual energy consumption 231 kW, 3.5 star

TESAW AWARD: 2006TESAW

full electronic display

10 wash programs

turbidity sensity - auto programming by suspended grime detection

differential (half load) 65/35 wash, left or right

5 wash temperatures - 38o, 45o, 55o, 65o, 70o Celsius

3 rinse temperatures - ambient, 68o,70o Celsius

2/1, 3/1, 4/1, 5/1 tablet detergent - rinse aid selection

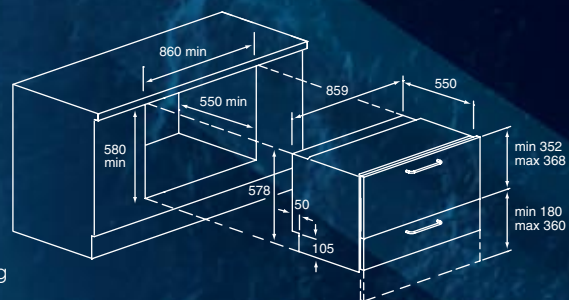
1-9 hour delay start with automatic initial prewash, 3.5 litre only

triple hinging, spring loaded for finger safety

5 stage, self-cleaning filter

anti flood, TOTAL ACQUASTOP: six stage checks

patented drip tray - deflects water drips away from door opening



STH903

alternative model with gray rilson baset, minus turbidity sensing, minus fluorescent lighting



02 9384 5678 www.smegappliances.com.au

