

K9995

ID040608
code K9995BK
K9995BL
K9995R
K9995S

90cm rangehood, wall mount, black & silverfrost, automatic air refresh



K9995BK

designed by F A Porsche



K9995S

K9995BL

K9995R

dimensions	900mm W x 500mm D x 1440mm H maximum
finish	black aluminium compound for fascia, silverfrost aluminium compound for trimming (also available in blue, red & silver)
installation	wall mount
motor	370 watt centrifugal, twin impellers, double-sided air uptake
capacity	1000 ³ m/hr net
noise rating	39–59 dBA
extraction	• direct duct to atmosphere only, 150mm diameter ducting required
extension chimney	supplied 270–450mm black two-piece telescopic chimney for optional use in the direct ducting mode
controls	four buttons and LCD screen
illumination	four 20 watt halogen globes, separate soft-touch electronic button
speeds	four, ON/OFF + progressive speed, separate button
delay stop	five-minute delay stop for fan and lights
cleaning prompt	• 30-hour prompt to inspect grease filters NB: reset to zero hour button
filtration	three stainless steel and aluminium 4-ply grease filters, removable
warranty	two years parts and labour

AIR REFRESH

If the rangehood is dormant or the kitchen or house is unoccupied for extended periods, the rangehood will automatically turn itself on to the lowest speed for ten minutes in the hour to simply refresh the ambient air in the kitchen and immediate environs. This feature can be deselected at the touch of a button.

APPLICATION

The K9995 extraction/filtering unit is suitable for very varied installations. An island or wall-mounted canopy can be designed incorporating these rangehoods. Consider, as well, one of these units for a difficult situation such as a corner or, when renovating, the overhead cabinet widths are not the normal 60cm or 90cm, making more conventional rangehoods impractical. The completely concealed design might alone be the sole aspect of a decor solution.

PERFORMANCE

Highly-efficient air extraction of up to 1000 cubic metres an hour true (net) ensures the very swift removal of cooking vapours, odours and heat. The higher speed selections are perfect for the more vigorous styles of cooking such as stir frying, griddle cooking and boiling, the lower speeds at the touch of a button are perfect for simmers.

QUIETNESS

39 to 59 dBA. The motor/impellor encasements are smooth-walled to minimise air drag and, hence, noise. All metal joins are welded to reduce vibration.

SAFETY

Thermal overload protection on motor, fire retardant hardened metal and mesh, VO self-extinguishing plastic for motor housing and internal flue.

MAINTENANCE

No tools required — easy lift-out pair of grease filters for washing. For light replacement, simply rotate the decorative flange for access to halogen globes.

DUCTING

Direct ducting to atmosphere ensures the maximum removal of grease/oil/particle-laden vapour plus the odours and, very importantly, the heat, resulting in a cleaner, cooler, more comfortable work area.

RECIRCULATION

When the cooking vapours cannot be ducted to atmosphere, the filtered air can simply be redirected back into the kitchen via a duct pipe through the overhead cabinetry.

CHARCOAL FILTERS

These are purchasable accessories. One each is clipped to either side of the centrifugal motor and are designed to absorb and diminish cooking odours. Periodic inspection is recommended before replacement. They are optionally used for recirculation only. The activated charcoal filters are not to be washed.

DUCTING MATERIAL

Smooth internal walled duct pipe lengths ensure the most efficient air movement and quieter operation. Consider either high temperature rated PVC or galvanised sheet metal piping. The flexible ducting can be ideal for a very short, tight run.

The rangehood's air exit aperture is designed for 150mm (6") ducting; however, a 125mm diameter (5") adaptor can be purchased for optional use.

DELAY STOP

Ideally, a rangehood should run for several minutes after all cooking is ceased in order to drag through residual vapours and odours. By selecting the delay stop button at the end of the cooking, the rangehood will turn the motor off in five minutes as well as the lights if they were left on.

CLEANING PROMPT

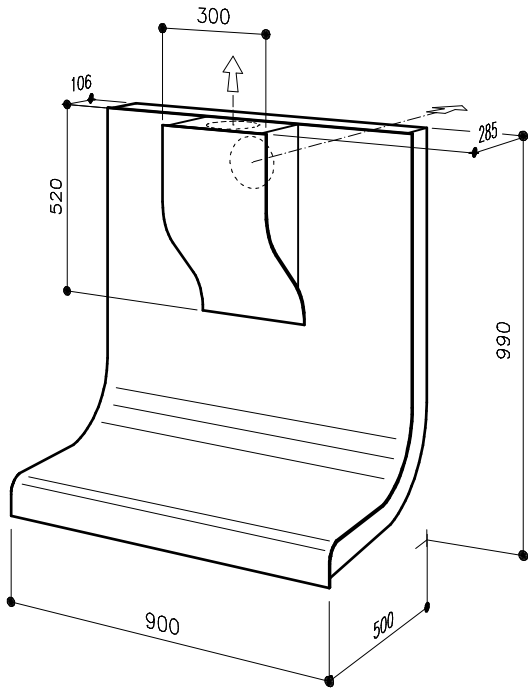
After 30 hours use the LED window will prompt visually to inspect the grease filters for possible cleaning. Simply use the Reset button to clear the LED window.

K9995

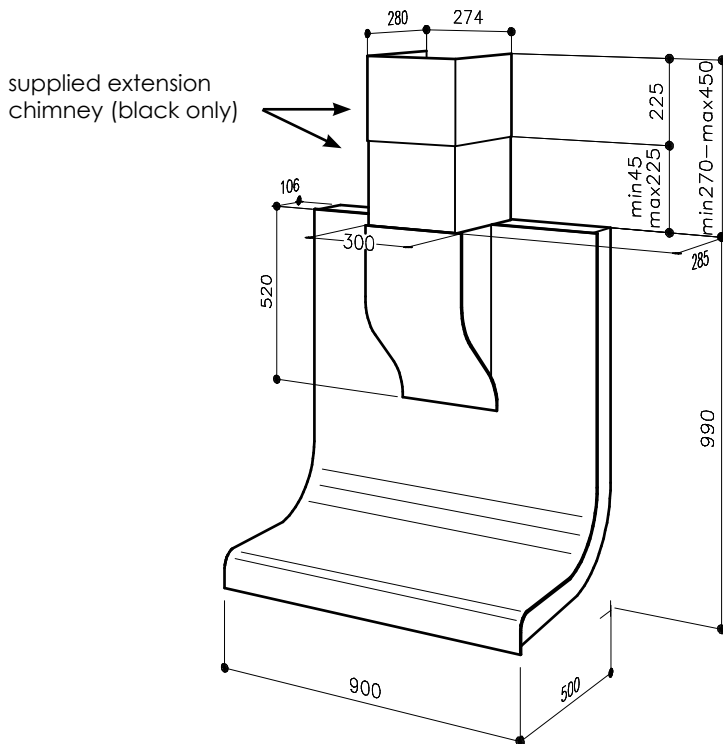
90cm rangehood, wall mount, black & silverfrost, automatic air refresh

ID040608
code K9995BK
K9995BL
K9995R
K9995S

- electricity supply** 240 volt, 50 Hz
- electrical connection** 0.8 metre connected power cord for plugging to standard 10 amp GPO
- wattage** 370 watt, 4 x 20 watt halogen globes, 450 watts total
- current** 1.88 amps
- packaged dimensions** 1170mm x 1060mm x 660mm = 0.89m³
- gross weight** 28 kg
- net weight** 19.50 kg
- supplied**
 - auxiliary carton with optional black two-piece telescopic chimney — 450mm maximum height
 - instructions for installation, operation, maintenance
 - fixing screws and wall bracket



SPEED	1	2	3	4
net air capacity m ³ /hr	425	690	900	1000
pressure mm H2O	30	43	47	49
input wattage	170	230	300	370
noise dBA	39	49	56	59



supplied extension chimney (black only)

NB: drawings are not to scale — they are to assist only

WARNING: technical specifications and product sizes can be varied by the manufacturer without notice. Cutouts for appliances should only be by physical product measurements. The above information is indicative only.



direct ducting to atmosphere ONLY